

PLEASE CHECK WWW.MOLEX.COM FOR LATEST PART INFORMATION

Part Number: [0015477528](#)
Status: **Active**
Description: 2.54mm (.100") Pitch C-Grid® Header, Through Hole, Dual Row, Vertical, High Temperature, Shrouded, with Peg, 28 Circuits, Tin (Sn) Plating

Documents:

[3D Model](#) [Product Specification PS-70567 \(PDF\)](#)
[Drawing \(PDF\)](#) [RoHS Certificate of Compliance \(PDF\)](#)

Agency Certification

CSA LR19980
 UL E29179

General

Product Family PCB Headers
 Series [70568](#)
 Application Wire-to-Board
 Product Name C-Grid®

Physical

Breakaway No
 Circuits (Loaded) 28
 Color - Resin Black
 First Mate / Last Break No
 Flammability 94V-0
 Glow-Wire Compliant No
 Guide to Mating Part No
 Keying to Mating Part None
 Lock to Mating Part Yes
 Material - Metal Brass, Phosphor Bronze
 Material - Plating Mating Tin
 Material - Plating Termination Tin
 Material - Resin High Temperature Thermoplastic
 Number of Rows 2
 Orientation Vertical
 PC Tail Length (in) 0.130 In
 PC Tail Length (mm) 3.30 mm
 PCB Locator No
 PCB Retention Yes
 PCB Thickness Recommended (in) 0.093 In
 PCB Thickness Recommended (mm) 2.40 mm
 Packaging Type Tube
 Pitch - Mating Interface (in) 0.100 In
 Pitch - Mating Interface (mm) 2.54 mm
 Pitch - Term. Interface (in) 0.100 In
 Pitch - Term. Interface (mm) 2.54 mm
 Plating min: Mating (µin) 150
 Plating min: Mating (µm) 3.75
 Plating min: Termination (µin) 150
 Plating min: Termination (µm) 3.75
 Polarized to Mating Part Yes
 Polarized to PCB Yes
 Shrouded Fully
 Stackable No
 Surface Mount Compatible (SMC) No
 Temperature Range - Operating -55°C to +105°C



EU RoHS

**ELV and RoHS
 Compliant**
**REACH SVHC
 Contains SVHC: No**
**Halogen-Free
 Status**

China RoHS



Not Reviewed

**Need more information on product
 environmental compliance?**

Email productcompliance@molex.com
 For a multiple part number RoHS Certificate of
 Compliance, [click here](#)

Please visit the [Contact Us](#) section for any
 non-product compliance questions.

Search Parts in this Series

[70568Series](#)

Termination Interface: Style Through Hole

Electrical

Current - Maximum per Contact 2.5A
Voltage - Maximum 250V

Solder Process Data

Duration at Max. Process Temperature (seconds) 5
Lead-free Process Capability SMC & Wave Capable (TH only)
Max. Cycles at Max. Process Temperature 1
Process Temperature max. C 245

Material Info

Old Part Number A-70568-0012

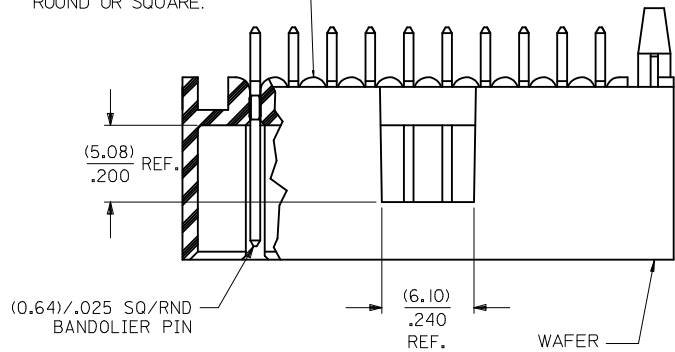
Reference - Drawing Numbers

Product Specification PS-70567
Sales Drawing SDA-70568-****

This document was generated on 03/31/2010

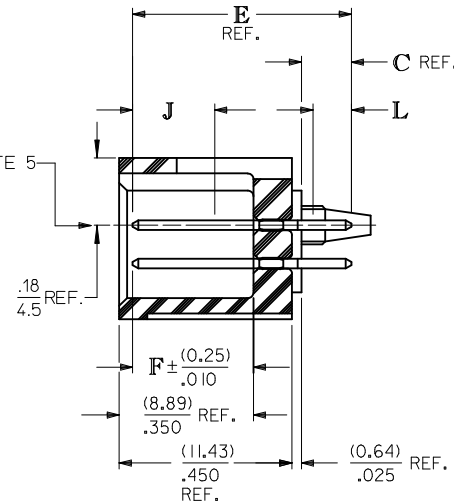
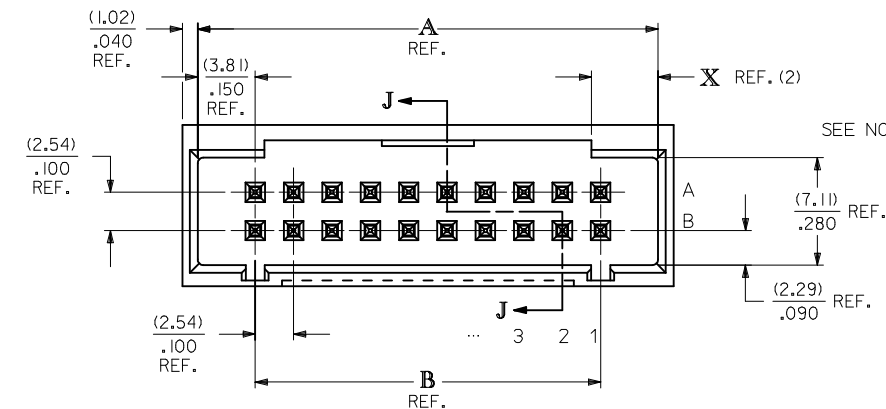
PLEASE CHECK WWW.MOLEX.COM FOR LATEST PART INFORMATION

STAND OFFS CAN BE EITHER ROUND OR SQUARE.

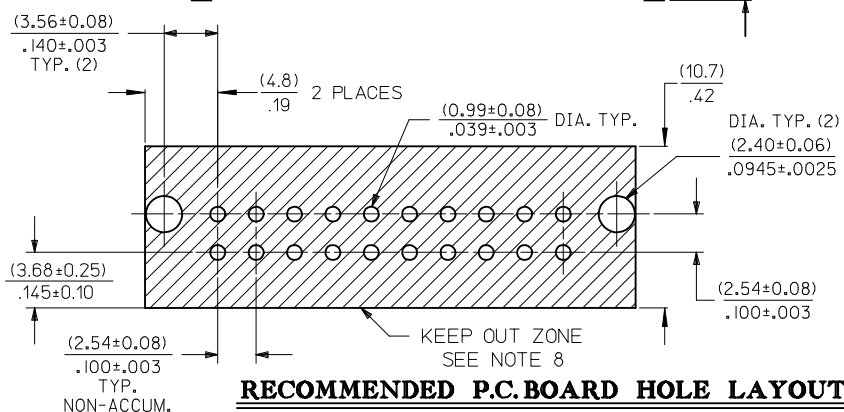
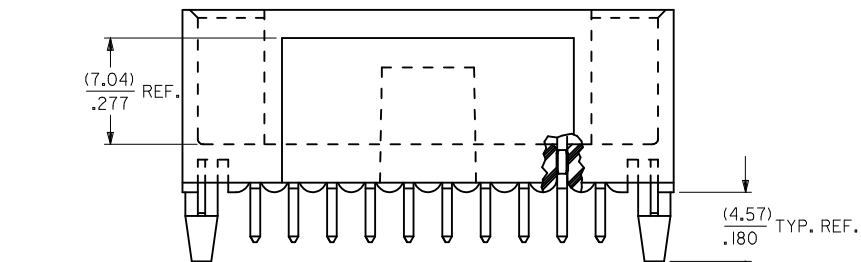


NOTES:

1. MATERIAL: WAFER - GLASS FILLED LIQUID CRYSTAL POLYMER, UL 94V-0, COLOR: BLACK, PIN: COPPER ALLOY.
2. PLATING: TIN
 TIN(Sn) ALLOY OVER ENTIRE PIN: THICKNESS = (3.81 MICROMETER)/ 150 MICROINCH MINIMUM;
 NICKEL (Ni) UNDERPLATE OVER ENTIRE PIN.
 15 GOLD SELECTIVE GOLD (Au) IN THE CONTACT AREA: THICKNESS = (0.38 MICROMETER)/ 15 MICROINCH MINIMUM;
 SELECTIVE TIN (Sn) ALLOY IN THE PC TAIL AREA: THICKNESS = (1.91 MICROMETER)/ 75 MICROINCH MINIMUM;
 NICKEL (Ni) UNDERPLATE OVER ENTIRE PIN.
 30 GOLD SELECTIVE GOLD (Au) IN THE CONTACT AREA: THICKNESS = (0.76 MICROMETER)/ 30 MICROINCH MINIMUM;
 SELECTIVE TIN (Sn) ALLOY IN THE PC TAIL AREA: THICKNESS = (1.91 MICROMETER)/ 75 MICROINCH MINIMUM;
 NICKEL (Ni) UNDERPLATE OVER ENTIRE PIN.
 * THE PRIMARY SHIPPING CARTON WILL BE LABELED "COMPLIANT TO RoHS DIRECTIVE 2002/95/EC AND ELV ANNEX II OF DIRECTIVE 2000/53/EC". CARTONS WITHOUT THIS LABEL MAY CONTAIN PRODUCT WITH LEAD.
3. PRODUCT SPECIFICATION: PS-70567.
4. PACKAGING: SEE CHARTS
5. PIN PUSHOUT FORCE: 4 LBS. MIN. IN DIRECTION INDICATED.
6. FOR ILLUSTRATION PURPOSES, 20 (DUAL 10) CIRCUIT SIZE IS SHOWN.
7. PINS MUST MEET SOLDERABILITY SPEC. SMES-152.
 EXCEPT VOIDS ARE PERMISSIBLE AT BANDOLIER PIN FAYING SURFACE. (APPROX. (0.64)/.025 LNG X (0.15)/.006 WD. REF.) - 2 LOCATIONS
8. NO FEATURES WHICH RISE ABOVE THE PCB SURFACE ALLOWED IN THIS AREA.
9. THIS PART CONFORMS TO CLASS B REQUIREMENTS OF COSMETIC SPEC PS-45499-002.



CKT. SIZE	DIM. A REF.		DIM. B REF.		DIM. X REF.	
	(MM)	INCH	(MM)	INCH	(MM)	INCH
6	(12.70)	.500	(5.08)	.200	(3.18)	.125
8	(15.24)	.600	(7.62)	.300	(4.42)	.174
10	(17.78)	.700	(10.16)	.400	(4.42)	.174
12	(20.32)	.800	(12.70)	.500	(4.42)	.174
14	(22.86)	.900	(15.24)	.600	(4.42)	.174
16	(25.40)	1.000	(17.78)	.700	(4.42)	.174
18	(27.94)	1.100	(20.32)	.800	(4.42)	.174
20	(30.48)	1.200	(22.86)	.900	(4.42)	.174
22	(33.02)	1.300	(25.40)	1.000	(4.42)	.174
24	(35.56)	1.400	(27.94)	1.100	(4.42)	.174
26	(38.10)	1.500	(30.48)	1.200	(4.42)	.174
28	(40.64)	1.600	(33.02)	1.300	(4.42)	.174
30	(43.18)	1.700	(35.56)	1.400	(4.42)	.174
32	(45.72)	1.800	(38.10)	1.500	(4.42)	.174
34	(48.26)	1.900	(40.64)	1.600	(4.42)	.174
36	(50.80)	2.000	(43.18)	1.700	(4.42)	.174
38	(53.34)	2.100	(45.72)	1.800	(4.42)	.174
40	(55.88)	2.200	(48.26)	1.900	(4.42)	.174
42	(58.42)	2.300	(50.80)	2.000	(4.42)	.174
44	(60.96)	2.400	(53.34)	2.100	(4.42)	.174
46	(63.50)	2.500	(55.88)	2.200	(4.42)	.174
48	(66.04)	2.600	(58.42)	2.300	(4.42)	.174
50	(68.58)	2.700	(60.96)	2.400	(4.42)	.174
52	(71.12)	2.800	(63.50)	2.500	(4.42)	.174
54	(73.66)	2.900	(66.04)	2.600	(4.42)	.174
56	(76.20)	3.000	(68.58)	2.700	(4.42)	.174
58	(78.74)	3.100	(71.12)	2.800	(4.42)	.174
60	(81.28)	3.200	(73.66)	2.900	(4.42)	.174
62	(83.82)	3.300	(76.20)	3.000	(4.42)	.174
64	(86.36)	3.400	(78.74)	3.100	(4.42)	.174
66	(88.90)	3.500	(81.28)	3.200	(4.42)	.174
68	(91.44)	3.600	(83.82)	3.300	(4.42)	.174
70	(93.98)	3.700	(86.36)	3.400	(4.42)	.174
72	(96.52)	3.800	(88.90)	3.500	(4.42)	.174



RECOMMENDED P.C. BOARD HOLE LAYOUT

MODIFIED NOTES EC NO: UCP2009-0336 DRAWN: JLOSTER/ER 2008/09/23 CHKD: JBEL 2008/09/24 APPR: FSMITH 2008/09/25	QUALITY SYMBOLS ▽=0 ▽=0	GENERAL TOLERANCES (UNLESS SPECIFIED)	DIMENSION STYLE		SCALE	DESIGN UNITS	THIRD ANGLE PROJECTION
			mm	INCH	4:1	INCH	

DRAWN BY	DATE	SALES ASSY - DUAL ROW SHROUDED WAFER/HI TEMP .25SQ/RND PINS .100 GRID
SMR	1993/11/10	
CHECKED BY	DATE	
SMR	1993/11/10	
APPROVED BY	DATE	MOLEX INCORPORATED
MATERIAL NO. SEE TABLE		
DRAFT WHERE APPLICABLE MUST REMAIN WITHIN DIMENSIONS		DOCUMENT NO. SDA-70568-****
ANGULAR ±1/2°		SHEET NO. 1 OF 2

MATERIAL NO. SEE TABLE		DOCUMENT NO. SDA-70568-****	SHEET NO. 1 OF 2
THIS DRAWING CONTAINS INFORMATION THAT IS PROPRIETARY TO MOLEX INCORPORATED AND SHOULD NOT BE USED WITHOUT WRITTEN PERMISSION			

		13	12	11	10	9	8	7	6	5	4	3	2	1		
J	ENGINEERING NUMBER A-70568	RELEASE FOR MANUFACTURE				C REF.	E REF.	F ± (0.25) .010				CONNECTOR END PLATING		P.C. BOARD END PLATING		SEE PACK INFORMA. DRAWING PK-70873
					TYPE				J MINIMUM LENGTH	TYPE	L MINIMUM LENGTH					
	-0001/0034	R.F.M.				(3,30) .130	(14,48) .570	(8,00) .315						TIN	OVER- ALL	TIN
I	-0035/-0068	R.F.M.				(3,30) .130	(14,48) .570	(8,00) .315			15 GOLD	(5,08) .200	TIN	(3,56) .140	-0018	I
	-0069/-0102	R.F.M.				(3,30) .130	(14,48) .570	(8,00) .315			30 GOLD	(5,08) .200	TIN	(3,56) .140	-0018	I
H	-0103/-0136															H
	-0137/-0170															H
	-0171/-0204															H
	-0205/-0238															H

CKTS	EDP NUMBER	ENG NUMBER	EDP NUMBER	ENG NUMBER	EDP NUMBER	ENG NUMBER	EDP NUMBER	ENG NUMBER	EDP NUMBER	ENG NUMBER	EDP NUMBER	ENG NUMBER	EDP NUMBER	ENG NUMBER	CKTS
G	06	A-70568-0001	A-70568-0001	A-70568-0001	A-70568-0001	A-70568-0001	A-70568-0001	A-70568-0001	A-70568-0001	A-70568-0001	A-70568-0001	A-70568-0001	A-70568-0001	A-70568-0001	06
	08	A-70568-0002	A-70568-0002	A-70568-0002	A-70568-0002	A-70568-0002	A-70568-0002	A-70568-0002	A-70568-0002	A-70568-0002	A-70568-0002	A-70568-0002	A-70568-0002	A-70568-0002	08
	10	A-70568-0003	A-70568-0003	A-70568-0003	A-70568-0003	A-70568-0003	A-70568-0003	A-70568-0003	A-70568-0003	A-70568-0003	A-70568-0003	A-70568-0003	A-70568-0003	A-70568-0003	10
	12	A-70568-0004	A-70568-0004	A-70568-0004	A-70568-0004	A-70568-0004	A-70568-0004	A-70568-0004	A-70568-0004	A-70568-0004	A-70568-0004	A-70568-0004	A-70568-0004	A-70568-0004	12
	14	A-70568-0005	A-70568-0005	A-70568-0005	A-70568-0005	A-70568-0005	A-70568-0005	A-70568-0005	A-70568-0005	A-70568-0005	A-70568-0005	A-70568-0005	A-70568-0005	A-70568-0005	14
	16	A-70568-0006	A-70568-0006	A-70568-0006	A-70568-0006	A-70568-0006	A-70568-0006	A-70568-0006	A-70568-0006	A-70568-0006	A-70568-0006	A-70568-0006	A-70568-0006	A-70568-0006	16
	18	A-70568-0007	A-70568-0007	A-70568-0007	A-70568-0007	A-70568-0007	A-70568-0007	A-70568-0007	A-70568-0007	A-70568-0007	A-70568-0007	A-70568-0007	A-70568-0007	A-70568-0007	18
	20	A-70568-0008	A-70568-0008	A-70568-0008	A-70568-0008	A-70568-0008	A-70568-0008	A-70568-0008	A-70568-0008	A-70568-0008	A-70568-0008	A-70568-0008	A-70568-0008	A-70568-0008	20
	22	A-70568-0009	A-70568-0009	A-70568-0009	A-70568-0009	A-70568-0009	A-70568-0009	A-70568-0009	A-70568-0009	A-70568-0009	A-70568-0009	A-70568-0009	A-70568-0009	A-70568-0009	22
F	24	A-70568-0010	A-70568-0010	A-70568-0010	A-70568-0010	A-70568-0010	A-70568-0010	A-70568-0010	A-70568-0010	A-70568-0010	A-70568-0010	A-70568-0010	A-70568-0010	A-70568-0010	24
	26	A-70568-0011	A-70568-0011	A-70568-0011	A-70568-0011	A-70568-0011	A-70568-0011	A-70568-0011	A-70568-0011	A-70568-0011	A-70568-0011	A-70568-0011	A-70568-0011	A-70568-0011	26
	28	A-70568-0012	A-70568-0012	A-70568-0012	A-70568-0012	A-70568-0012	A-70568-0012	A-70568-0012	A-70568-0012	A-70568-0012	A-70568-0012	A-70568-0012	A-70568-0012	A-70568-0012	28
	30	A-70568-0013	A-70568-0013	A-70568-0013	A-70568-0013	A-70568-0013	A-70568-0013	A-70568-0013	A-70568-0013	A-70568-0013	A-70568-0013	A-70568-0013	A-70568-0013	A-70568-0013	30
	32	A-70568-0014	A-70568-0014	A-70568-0014	A-70568-0014	A-70568-0014	A-70568-0014	A-70568-0014	A-70568-0014	A-70568-0014	A-70568-0014	A-70568-0014	A-70568-0014	A-70568-0014	32
	34	A-70568-0015	A-70568-0015	A-70568-0015	A-70568-0015	A-70568-0015	A-70568-0015	A-70568-0015	A-70568-0015	A-70568-0015	A-70568-0015	A-70568-0015	A-70568-0015	A-70568-0015	34
	36	A-70568-0016	A-70568-0016	A-70568-0016	A-70568-0016	A-70568-0016	A-70568-0016	A-70568-0016	A-70568-0016	A-70568-0016	A-70568-0016	A-70568-0016	A-70568-0016	A-70568-0016	36
E	38	A-70568-0017	A-70568-0017	A-70568-0017	A-70568-0017	A-70568-0017	A-70568-0017	A-70568-0017	A-70568-0017	A-70568-0017	A-70568-0017	A-70568-0017	A-70568-0017	A-70568-0017	38
	40	A-70568-0018	A-70568-0018	A-70568-0018	A-70568-0018	A-70568-0018	A-70568-0018	A-70568-0018	A-70568-0018	A-70568-0018	A-70568-0018	A-70568-0018	A-70568-0018	A-70568-0018	40
	42	A-70568-0019	A-70568-0019	A-70568-0019	A-70568-0019	A-70568-0019	A-70568-0019	A-70568-0019	A-70568-0019	A-70568-0019	A-70568-0019	A-70568-0019	A-70568-0019	A-70568-0019	42
	44	A-70568-0020	A-70568-0020	A-70568-0020	A-70568-0020	A-70568-0020	A-70568-0020	A-70568-0020	A-70568-0020	A-70568-0020	A-70568-0020	A-70568-0020	A-70568-0020	A-70568-0020	44
	46	A-70568-0021	A-70568-0021	A-70568-0021	A-70568-0021	A-70568-0021	A-70568-0021	A-70568-0021	A-70568-0021	A-70568-0021	A-70568-0021	A-70568-0021	A-70568-0021	A-70568-0021	46
	48	A-70568-0022	A-70568-0022	A-70568-0022	A-70568-0022	A-70568-0022	A-70568-0022	A-70568-0022	A-70568-0022	A-70568-0022	A-70568-0022	A-70568-0022	A-70568-0022	A-70568-0022	48
	50	A-70568-0023	A-70568-0023	A-70568-0023	A-70568-0023	A-70568-0023	A-70568-0023	A-70568-0023	A-70568-0023	A-70568-0023	A-70568-0023	A-70568-0023	A-70568-0023	A-70568-0023	50
D	52	A-70568-0024	A-70568-0024	A-70568-0024	A-70568-0024	A-70568-0024	A-70568-0024	A-70568-0024	A-70568-0024	A-70568-0024	A-70568-0024	A-70568-0024	A-70568-0024	A-70568-0024	52
	54	A-70568-0025	A-70568-0025	A-70568-0025	A-70568-0025	A-70568-0025	A-70568-0025	A-70568-0025	A-70568-0025	A-70568-0025	A-70568-0025	A-70568-0025	A-70568-0025	A-70568-0025	54
	56	A-70568-0026	A-70568-0026	A-70568-0026	A-70568-0026	A-70568-0026	A-70568-0026	A-70568-0026	A-70568-0026	A-70568-0026	A-70568-0026	A-70568-0026	A-70568-0026	A-70568-0026	56
	58	A-70568-0027	A-70568-0027	A-70568-0027	A-70568-0027	A-70568-0027	A-70568-0027	A-70568-0027	A-70568-0027	A-70568-0027	A-70568-0027	A-70568-0027	A-70568-0027	A-70568-0027	58
	60	A-70568-0028	A-70568-0028	A-70568-0028	A-70568-0028	A-70568-0028	A-70568-0028	A-70568-0028	A-70568-0028	A-70568-0028	A-70568-0028	A-70568-0028	A-70568-0028	A-70568-0028	60
	62	A-70568-0029	A-70568-0029	A-70568-0029	A-70568-0029	A-70568-0029	A-70568-0029	A-70568-0029	A-70568-0029	A-70568-0029	A-70568-0029	A-70568-0029	A-70568-0029	A-70568-0029	62
	64	A-70568-0030	A-70568-0030	A-70568-0030	A-70568-0030	A-70568-0030	A-70568-0030	A-70568-0030	A-70568-0030	A-70568-0030	A-70568-0030	A-70568-0030	A-70568-0030	A-70568-0030	64
	66	A-70568-0031	A-70568-0031	A-70568-0031	A-70568-0031	A-70568-0031	A-70568-0031	A-70568-0031	A-70568-0031	A-70568-0031	A-70568-0031	A-70568-0031	A-70568-0031	A-70568-0031	66
C	68	A-70568-0032	A-70568-0032	A-70568-0032	A-70568-0032	A-70568-0032	A-70568-0032	A-70568-0032	A-70568-0032	A-70568-0032	A-70568-0032	A-70568-0032	A-70568-0032	A-70568-0032	68
	70	A-70568-0033	A-70568-0033	A-70568-0033	A-70568-0033	A-70568-0033	A-70568-0033	A-70568-0033	A-70568-0033	A-70568-0033	A-70568-0033	A-70568-0033	A-70568-0033	A-70568-0033	70
	72	A-70568-0034	A-70568-0034	A-70568-0034	A-70568-0034	A-70568-0034	A-70568-0034	A-70568-0034	A-70568-0034	A-70568-0034	A-70568-0034	A-70568-0034	A-70568-0034	A-70568-0034	72

MODIFY PLATE EC NO: UCP2006-2806 2006/05/31 DRAWN BY: BARRA 2006/06/06 CHKD: JORGAN 2006/06/06 APPR: SMILLER 2006/06/07	QUALITY SYMBOLS 	GENERAL TOLERANCES (UNLESS SPECIFIED)		DIMENSION STYLE		SCALE	DESIGN UNITS	THIRD ANGLE PROJECTION	
				MM/IN		---	INCH		
		4 PLACES ± --- ± ---	± ---	DRAWN BY DATE		TITLE			
		3 PLACES ± --- ± .005	± .01	SMR 1993/11/10		SALES ASSY-DUAL ROW SHROUDED WAFER/HIGH TEMP .025SQ/RND PIN .100 GRID			
2 PLACES ± 0.13 ± .01	± ---	CHECKED BY DATE							
1 PLACE ± 0.25 ± ---		SMR 1993/11/10							
ANGULAR ±1/2°		APPROVED BY DATE							
DRAFT WHERE APPLICABLE MUST REMAIN WITHIN DIMENSIONS		MATERIAL NO.		DOCUMENT NO.		SHEET NO.			
		SEE TABLE		SDA-70568-****		2 OF 2			
		THIS DRAWING CONTAINS INFORMATION THAT IS PROPRIETARY TO MOLEX INCORPORATED AND SHOULD NOT BE USED WITHOUT WRITTEN PERMISSION							